

**COLLECTION 2020**

HINGE  
**BAR**  
**ADJUSTABLE ALIGNMENT**

Thanks to a new design which allows to adjust the slopes of the walls, frames and fix glasses, the new adjustable hinges BAR guarantee the correct assembly of the glass doors, means of an adjustment mechanism very easy and quick.



REDUCE THE TIME OF  
INSTALLATION



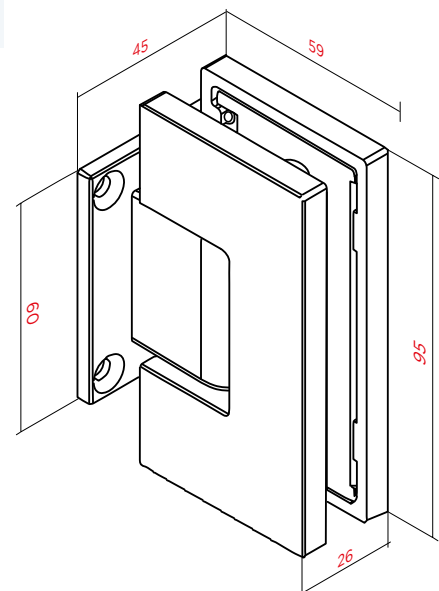
PERFECT FINISH  
GUARANTEED



ADJUST DEVIATIONS IN  
WALLS AND FRAMES



In addition, Trivel has taken all the details into account, designing a fitting with covers, straight and nice lines and with the total ability to customize all fittings with special finishes (colours...) in a short lead time production, always with the maximum guarantee and reliability.



**GENERAL CHARACTERISTICS**

- Adjustable alignment in stainless steel AISI 316.
- Manufactured in stainless steel AISI 316.
- Blocking point to 0° and ±90°.
- Screws in stainless steel A2.
- Bearing pivots in stainless steel AISI 303.
- Blocking springs in stainless steel AISI 302.
- Glass clamping joints in PE material.
- Finishes: Polish stainless steel - satin stainless steel.

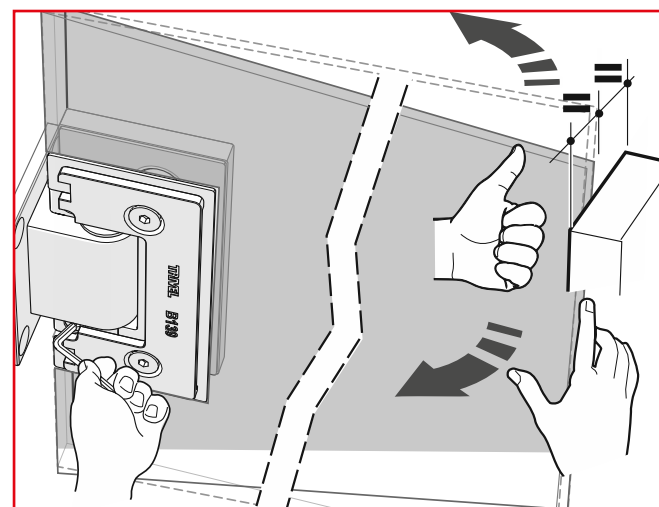
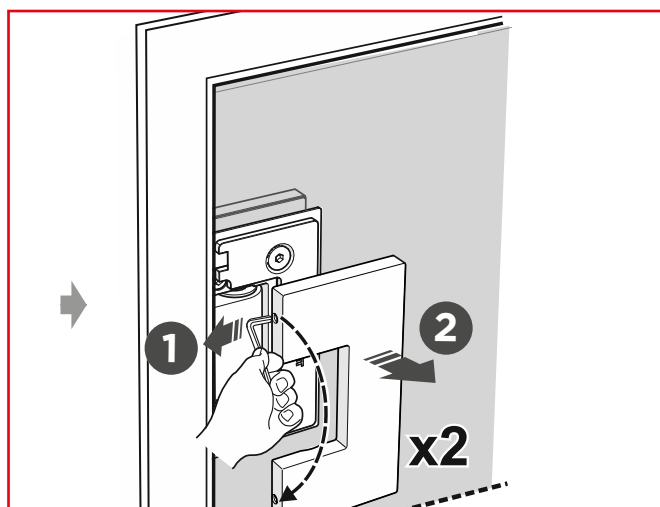
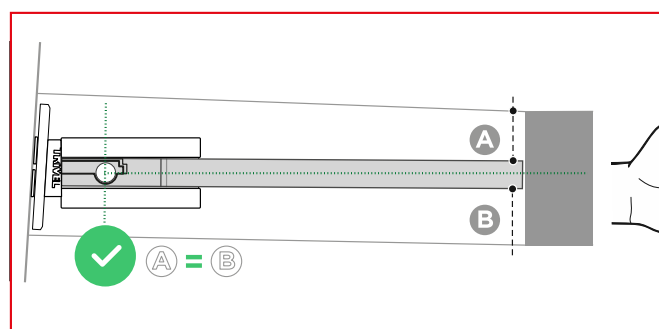
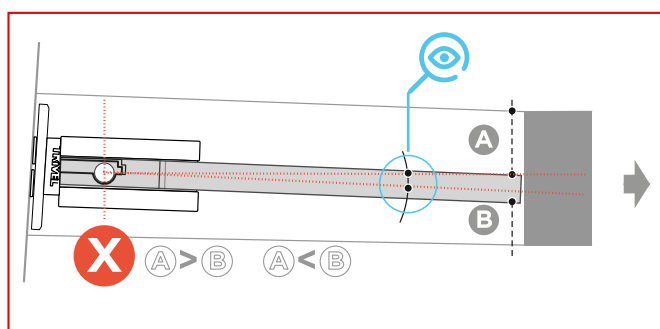
## QUALITY

## RELIABILITY

## DURABILITY

The quality, reliability and durability of TRIVEL is always present. It's also present in our new BAR hinge, manufactured in stainless steel AISI 316, screws in stainless steel A2, bearing pivots and blocking springs in AISI 303 and AISI 302, and glass clamping points in PE material.

The adjustable hinges are designed and manufactured entirely by TRIVEL, and it's certified according to the Standard [UNE-EN 1935:2002/AC:2004](#), grade 7: 200.000 cycles, by the Standard [UNE-EN 1670:2007/AC:2008](#) Grade 5, maximum resistance to the corrosion.



PERFECT ALIGNMENT  
PERFECT INSTALLATION

QUICK,  
IDEAL  
AND EASY,